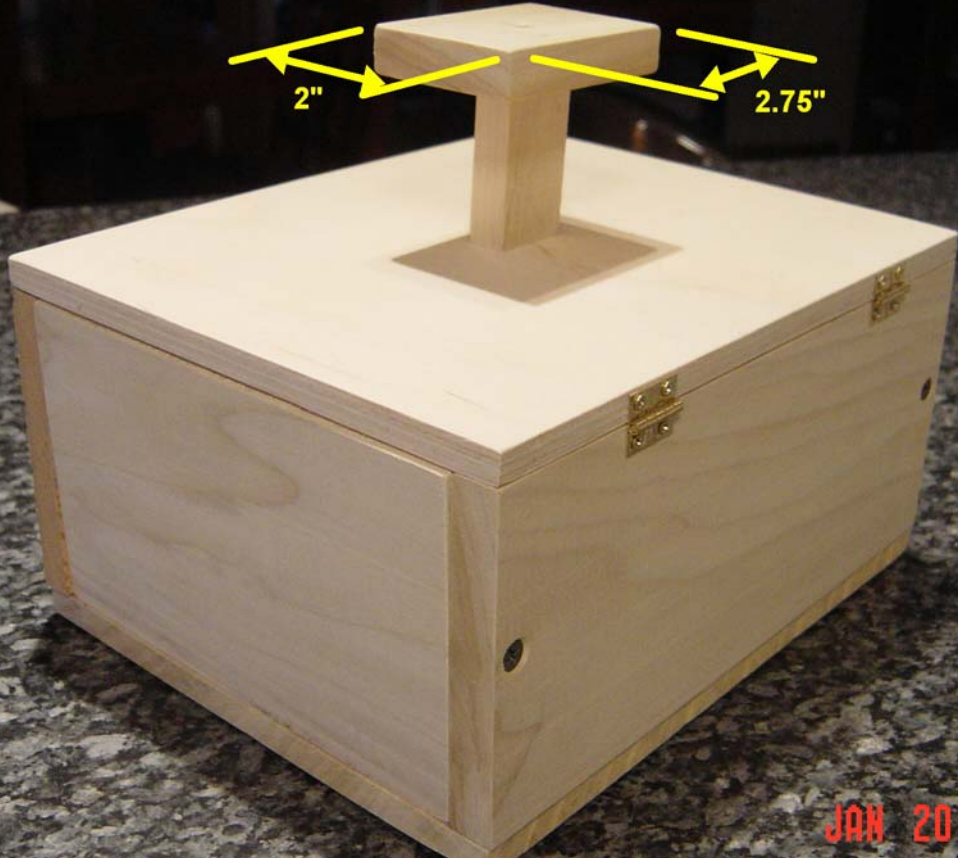


JAN 20 2006



JAN 20 2006



JAN 20 2006

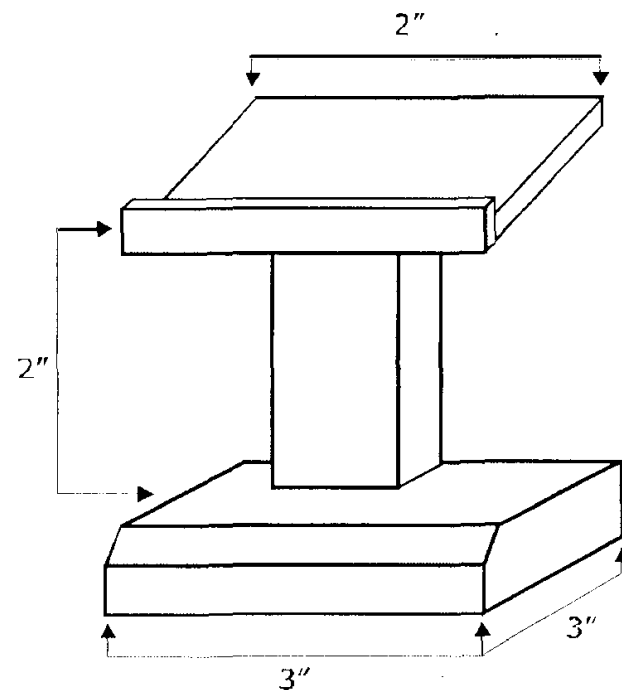
## WINNER'S PODIUM

### CONGRATULATIONS!!

You've made it through an intense competition, and have come away with more experience and knowledge of the Pinewood Derby.

Your race day is over, and you are probably relieved. We hope your efforts made you proud of how your car performed on Race Day. Most importantly is, whether you placed in the standings or your day was cut short by a mishap, you did your best. We know that if you followed our instructions in our FastPine Bible, you probably had to control your look of disbelief of how fast your car zipped down the track.

Well, now what do you do with your car? This piece of your history you will want to keep forever. Believe us when we say you will wish you had kept your car, because we have three generations of derby cars on display. That carved piece of pine block will represent many great things to you. We have seen people put the cars in acrylic display boxes from the hobby shops. We like to incorporate our cars into a homemade trophy. You can either make a stand for it, or you can mount the car on a plaque-type display that you can hang on your wall.



Pinewood Derby Car Stand

## KID QUIZ

Here is a list of fun and simple fill in the blank questions to test what you have learned.

1. The first Pinewood Derby was held in \_\_\_\_\_ (year).
2. \_\_\_\_\_ is the force that slows your car down if your wheels rub against your car's body.
3. What type of lubricant works best?
  - a. Oil
  - b. Glue
  - c. Teflon Powder
  - d. Graphite Powder
4. It is a good idea to melt lead. (True) (False)
5. The balance point of the car should be near the \_\_\_\_\_.
6. What is the device called that holds the wheel in the drill?  
\_\_\_\_\_
7. Does a heavy or light derby wheel roll faster?
8. Which is **NOT** a speed technique for your axles?
  - a. Sand any ridges smooth.
  - b. File off the burrs under the axle heads.
  - c. Paint the axles "Speedy Red".
  - d. Taper the heads with a metal file.
9. What are some other names for the Pinewood Derby?
10. How much fun have you had learning about the Pinewood derby?